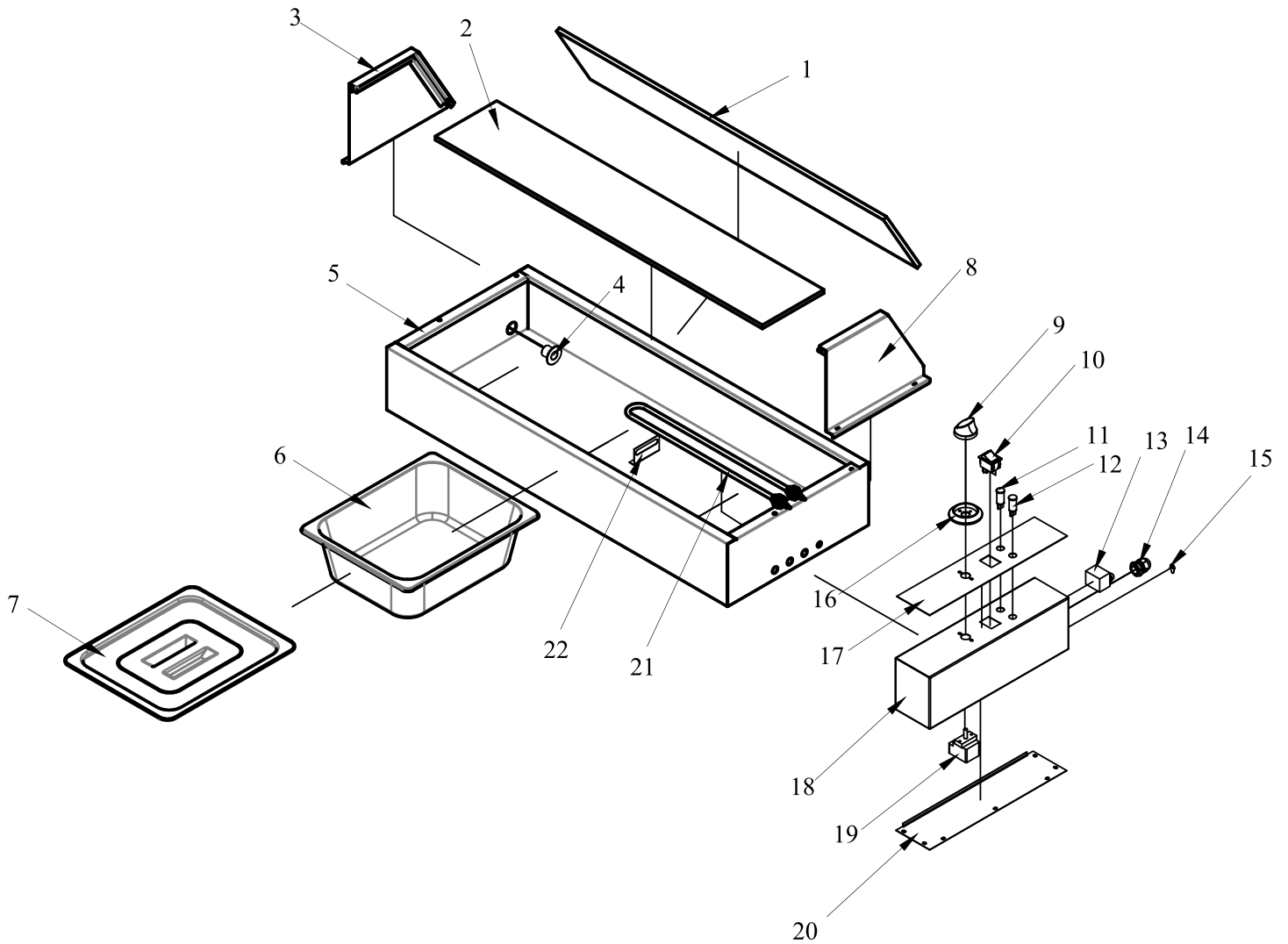


Parts Breakdown

Model FW-CN-0905 42156



Parts Breakdown

Model FW-CN-0905 42156

Item No.	Description	Position	Item No.	Description	Position	Item No.	Description	Position
60223	Front Glass 827x165 for 42156	1	60239	Temperature Controller Knob for 42156	9, 16	60235	PVC for 42156	17
60222	Top Glass 827x150 for 42156	2	68267	UL Switch for 42156	10	60232	Control Box for 42156	18
61418	Brackets and Hardware Kit for 42156	3, 8	60237	Power Light (Green) for 42156	11	60231	Temperature Controller for 42156	19
66038	Drain Nozzle for 42156	4	60236	Heat Light (Orange) for 42156	12	60230	Control Box Bottom Board for 42156	20
60227	Body for 42156	5	60233	Temperature Limiter for 42156	13	60250	Heating Pipe for 42156	21
60242	1/2x10 Stainless Steel Container for 42156	6	66039	Plastic Cable Head for 42156	14	60228	Heating Pipe Support for 42156	22
60263	1/2 PC Cover of Container for 42156	7	60234	Ground Terminal for 42156	15	AC953	Assembled Complete Body for 42156	